

Key Features

- Non-Contact
- No Moving Sensor Parts
- Up to 60mm Linear Measurement
- Up to 90° Angular Measurement
- Fully Configurable Range
- Analogue/Digital Output
- Unlimited Mechanical Life
- Submersible

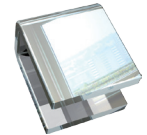
The Blade60 Position Sensor accurately senses the linear or angular position of a metallic 'activator' mounted away from the face of the sensor. The unique non-contact two-part design utilises Gill's patented inductive technology to provide a reliable, accurate output that will not deteriorate through use.

Small, light and robust, the sensor is fully electronic with on-board processing. The supplied software facilitates a fully configurable measurement range. Output signals are provided in three different formats and diagnostic information is given to assist in system fail-safe functionality.

At just 6mm thick installation is simple. Accuracy and durability are increased with the absence of mechanical linkages and the U-shaped activator can be formed as part of your application for minimum installation overhead. The sensor is available in standard and high-temperature formats and is available with standard or custom requested wiring options. Sealed to IP67, this sensor is ideal for a variety of applications where grime, moisture, temperature and vibration can have an adverse affect on other types of sensor.



SENSOR



ACTIVATOR



SIDE VIEW OF
SENSOR/ACTIVATOR
CONFIGURATION



ELECTRICAL

Supply Voltage	+4.8 VDC to +30 VDC
Over Voltage Protection	>31 VDC
Supply Current	<10mA with comms
Reverse Polarity Protection	up to -30 VDC
Resolution	10 bit over configured range
Sample Rate	1KHz
Rise Time	2ms*
Pulse Energy Absorption	1.0J

ANALOGUE OUTPUT

Measuring Range	Linear: ± 30 mm (configurable) Rotary: $\pm 45^\circ$ (configurable)
Voltage Output Range	0-4.2 V
Range Accuracy	± 0.1 mm or equivalent

PWM OUTPUT

Measuring Range	Linear: ± 30 mm (configurable) Rotary: $\pm 45^\circ$ (configurable)
Frequency	250Hz or 1KHz

SERIAL OUTPUT

Data Type	RS232 19.2K 8N
-----------	----------------

SWITCH OUTPUT

Type	Switch to GND 30VDC Max, 8mA
------	------------------------------

MECHANICAL

Size	6 x 77 x 32.5mm (DxWxL)
Sensor-Activator Clearance	0.5-2mm
Mounting	2 x $\varnothing 4$ mm holes on a 65.5mm pitch
Weight	25.6 grams (0.90 ounces) excluding cable
Activator Materials	See notes overleaf
Materials Compatibility	Water, engine oil, engine coolant, diesel fuel, gasoline, salt spray, degreaser, degreaser tsp, ammonia and dust. All common automotive liquids and materials

ENVIRONMENTAL

Protection Class	IP67
Operational Temperature	-40°C to +85°C (standard) -40°C to +125°C (optional)
Dither Life	Non-contact: no deterioration through use

OPTIONS

Wiring	- Standard (30/28AWG) 85°C/125°C - Heavy duty (20AWG) 85°C/125°C - Customer specified
--------	---

*The sensor samples the position at 1 ms intervals. Each sample is processed then made available via an analogue filter with a rise time of 1.5ms. The total delay to 50% output is approximately 2ms.

ACTIVATOR OPTIONS

- Zinc & Colour Passivated CR4 Mild Steel
- EN3B painted mild steel or similar
- Plastic/Copper Foil
- Others compatible, contact Gill with your requirement.

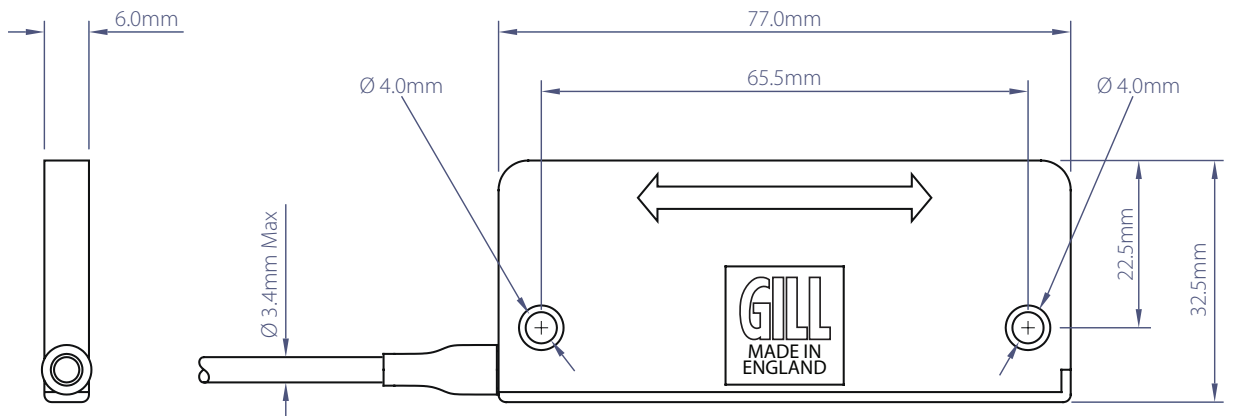
WIRING

■ RED	+4.8VDC to +32VDC SUPPLY
■ BLACK	SYSTEM & POWER GROUND (GND)
■ BLUE	SWITCH OUTPUT
■ GREEN	SERIAL COMMS INPUT (Rx), RS232 COMPATIBLE
■ WHITE	SERIAL COMMS OUTPUT (Tx), RS232 COMPATIBLE
■ YELLOW	ANALOGUE OUTPUT: VOLTAGE or PWM

Other custom wiring options available. Contact Gill for more information.

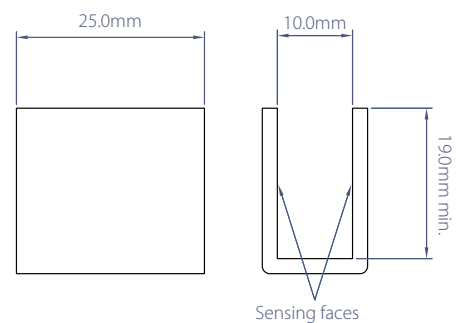
ORDER CODES

- 30 AWG 6 wire version (85°C max)
Part No:1508-00-006
(Preferred Stock product)
- 28 AWG 6 wire version (125°C max)
Part No:1508-00-010
- 24 AWG 5 wire version (85°C max)
No switch output
Part No:1508-00-026
- Zinc & Colour Passivated CR4
Mild Steel Activator
Part No:1484-30-050



ACTIVATOR

The sensor requires a metallic activator to be mounted 0.5-2mm away from the sensing face. This can either be mechanically mounted to the moving object or machined into the application for minimal installation overhead. Below is a drawing showing the dimensions of our recommended standard activator. Please consult Gill for more information on activator design.



Model shown

Part no: 1508-00-006 (Preferred Stock product)

*All undefined dimensions are non-critical

GILL

Gill Sensors & Controls Limited

Unit 600 Ampress Park
Lymington, Hampshire
SO41 8LW

Tel: +44 (0) 1590 613 900
Fax: +44 (0) 1590 613 901
info@gillsc.com



gillsc.com

PD1508 - Iss 5

Copyright © Gill Sensors & Controls 2015